



A Donaldson Company

A WORLD LEADER IN FUME
EXTRACTION TECHNOLOGY

AD Universal

LASER

Last Updated on 01.02.2022



The compact system designed for small scale industrial environments and light laser coding applications.

The AD Universal fume extraction and filtration system has been designed to provide cost-effective solutions for light to medium duty applications. These compact systems are ideal for small scale industrial environments and light laser coding applications.

Technology



DeepPleat pre-filter



HEPA filter



Advanced carbon filter (ACF) technology



Multi voltage sensing (MVS) unit



ProTECT service plan



SureCHECK quality standard

Key features of the AD Universal

Digital speed control
Standard

Long life, low cost replacement filters
Standard

Advanced carbon filter (ACF) technology
Standard

Low noise levels
Standard

Remote stop / start interface
Optional

Filter condition indicator
Standard

DeepPleat pre-filter
Standard

Small footprint
Standard

VOC gas sensor (Volatile Organic Compound)
Optional

Filter change / system fail signal
Optional

Contact BOFA at <https://bofainternational.com/en/contact/>

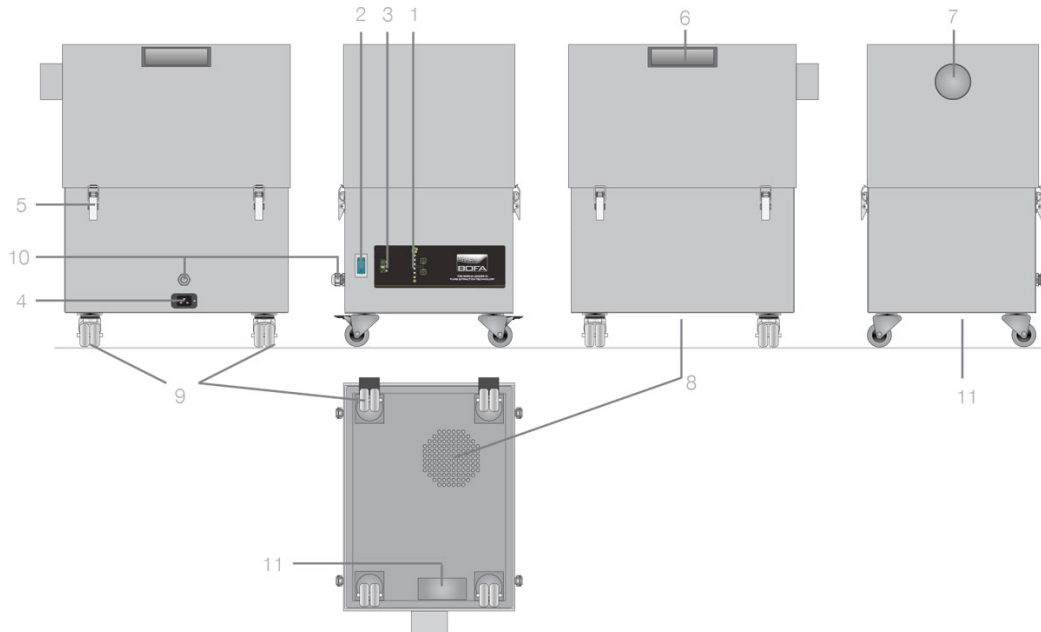
<https://bofainternational.com/en/portal/datasheets/ad-universal/>



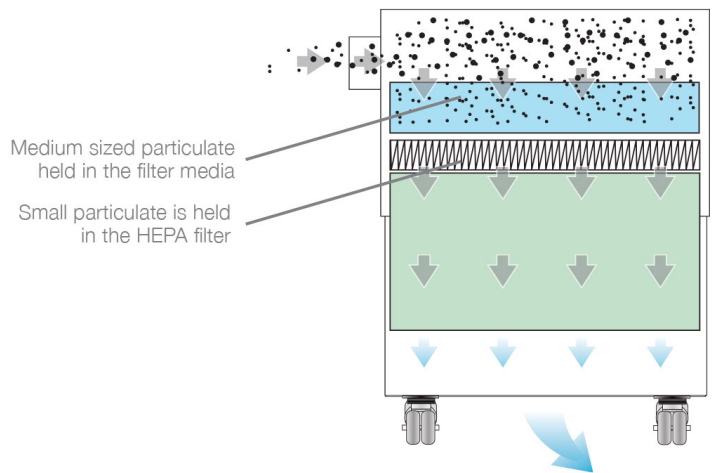
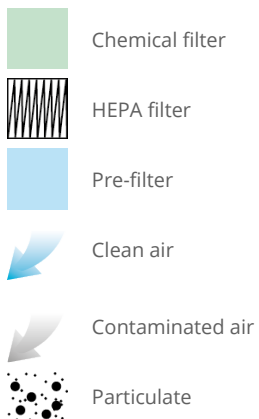
Approvals: REACH and RoHS. See individual product technical data for specific accreditations

Technical specification

- | | | | |
|--------------------------|------------------------------|-----------------------------------|--------------------------|
| 1. Digital speed control | 2. On / off switch | 3. Filter condition display | 4. IEC power cable inlet |
| 5. Lid fastening latches | 6. Handles | 7. Hose inlet connections - 100mm | 8. Motor cooling inlet |
| 9. Castors | 10. Signal / Interface cable | 11. Exhaust outlet | |



Airflow through filters



Technical data

	EU	US
Dimensions (HxWxD)	625 x 385 x 525 mm	24.61 x 15.16 x 20.67"
Cabinet construction	Powder coated mild steel	Powder coated mild steel
Airflow / pressure	380m ³ /hr / 96mbar	223cfm / 96mbar
Electrical data	100-230v Single-phase 1~ 50/60Hz Full load current: 12.5 amps/ 1.1kw	100-230v Single-phase 1~ 50/60Hz Full load current: 12.5 amps/ 1.1kw
Noise level	<60dBA (at typical operating speed)	<60dBA (at typical operating speed)
Weight	50kg	110lbs
Approvals	UKCA and CE	UL*

DeepPleat pre-filter specifications

Surface media area	6m ² approx (64.56 ft ²)
Filter media	Borosilicate
Filter media construction	100mm maxi fold construction with glue bead spacers (0.32ft)
Filter efficiency	95% @ 0.9 microns

Combined filter specifications

HEPA filter media	Borosilicate
HEPA media construction	50mm maxi pleat construction with glue bead spacers (0.16ft)
Filter housing	Zintec mild steel
Treated activated carbon	11kgs (24.2 lbs)
Filter efficiency	99.997% @ 0.9 microns

Part numbers

Model	Voltage	Part no.	24V stop/start	Filter change / system failure signal	VOC monitoring
AD Universal powder coated	115V - 230V	L2244A	A2001	A2002	A2003

Replacement filters

Model	DeepPleat pre-filter	Combined filter
AD Universal	A1030167	A1030166

* Tested to UL and cUL standards, but testing may be provided by alternate nationally recognised test laboratories. Certain product configurations may affect the UL certification. Please speak to your sales representative.

Other languages

AD Universal
[French](#)

Datasheet correct at time of publishing.

Where applicable, the carbon used in BOFA units is capable of removing a wide range of VOCs, however it is the responsibility of the user to ensure the carbon is suitable for their application. For specific applications, please contact us for details.

Important Notice: Many factors beyond the control of BOFA can affect the use and performance of BOFA products in a particular application, including the conditions under which the product is used. Since these factors are uniquely within the user's knowledge and control, it is essential the user evaluate the products to determine whether the product is fit for the particular purpose and suitable for the user's application. All products, product specifications, availability and data are subject to change without notice, and may vary by region or country.

Think before you print! Please consider the environment before printing this document.

